

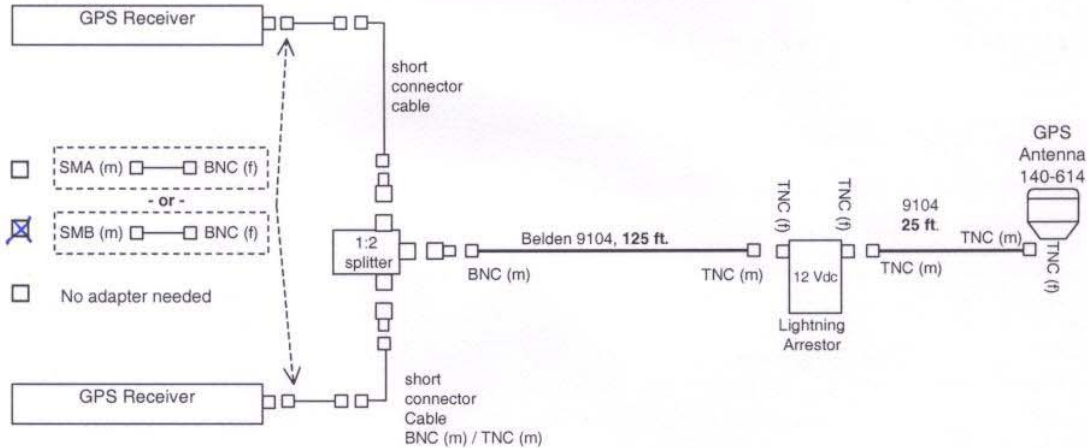
GPS Receiver Insertion Loss Test and Verification

Model: SyncServer S100
 Part #: SS-S100-GPS

Tech.: R. Black
 Date: 4-15-05

Pass
 Fail

150 Foot Insertion Loss Test – 2x GPS receivers (A&B), 1x Control GPS Receiver (C) not shown
 Control test: GPS Receiver, 150 ft. straight through cable, no Splitter, no Lightning Arrestor.

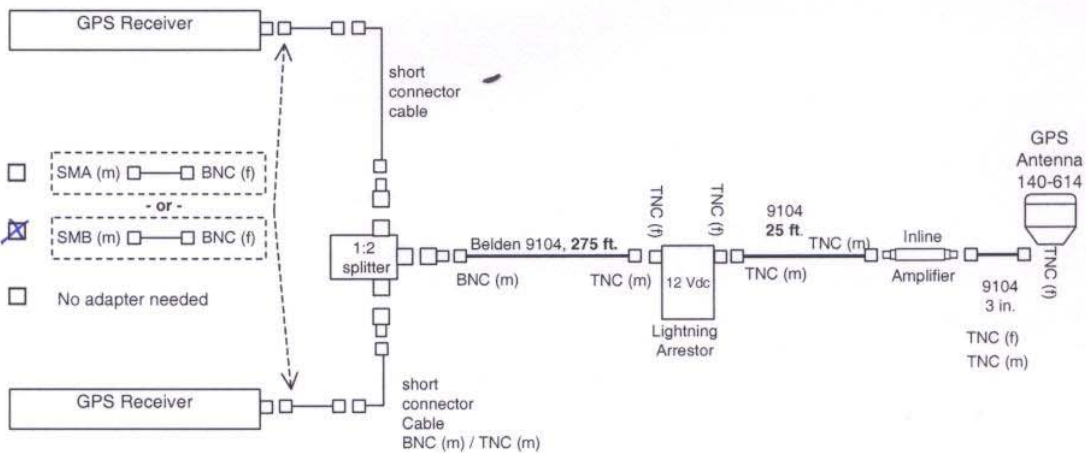


Satellites Locked: A B C

Satellites Tracked: A B C

Time Accurate: A B C

300 Foot Insertion Loss Test – 2x GPS receivers (A&B), 1x Control GPS Receiver (C) not shown
 Control test: GPS Receiver, 300 ft. straight through cable, Inline Amplifier, no Splitter, no Lightning Arrestor.



Satellites Locked: A B C

Satellites Tracked: A B C

Time Accurate: A B C